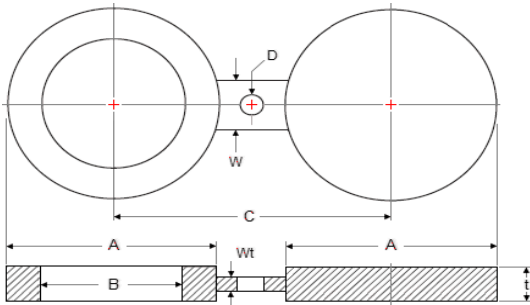


ANSI/ASME B16.48 CLASS 150 SPECTACLE BLIND FLANGES



Nominal Pipe Size	O.D.	I.D.	Center Line	Thickness	Web Width
inch	A	B	C	t	W
1/2"	45	16	60	3	38
3/4"	54	21	70	3	38
1"	64	27	80	3	38
1-1/4"	73	42	90	6.4	38
1-1/2"	83	48	100	6.4	38
2"	102	61	120	6.4	51
2-1/2"	107	73	140	6.4	51
3"	133	89	150	6.4	64
3-1/2"	159	102	175	9.7	64
4"	172	114	190	9.7	64
5"	194	141	215	9.7	76
6"	219	168	240	12.7	76
8"	276	219	300	12.7	76
10"	337	273	360	15.7	102
12"	406	324	430	19.1	102
14"	448	356	475	19.1	108
16"	511	406	460	22.4	108
18"	546	457	580	25.4	114
20"	603	508	635	28.4	121
24"	714	610	750	31.8	140